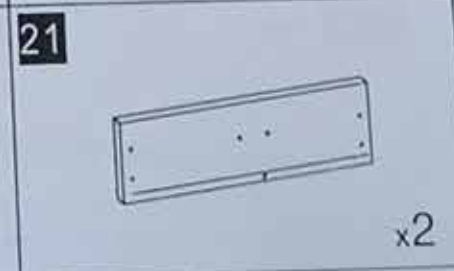
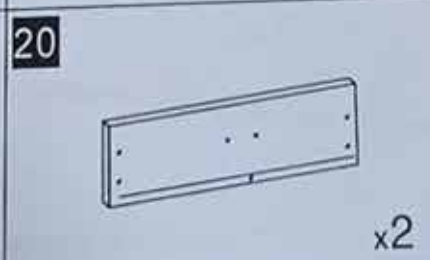
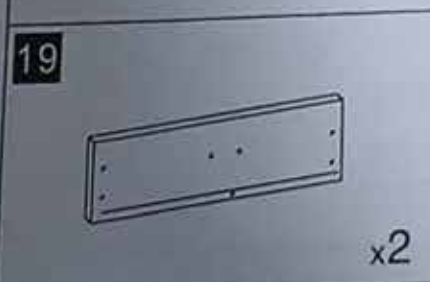
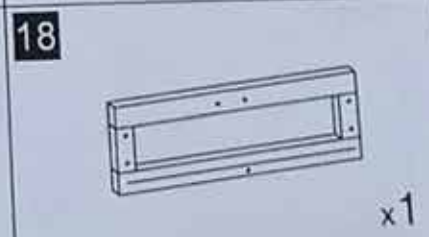
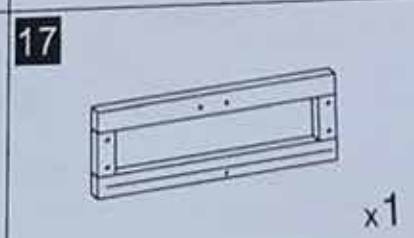
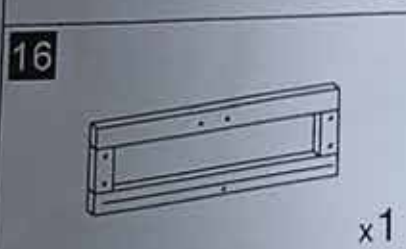
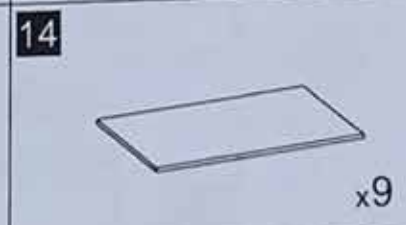
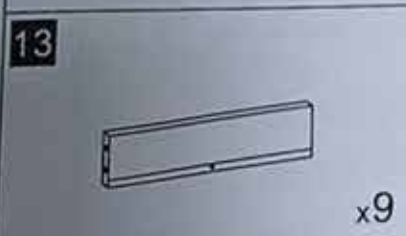
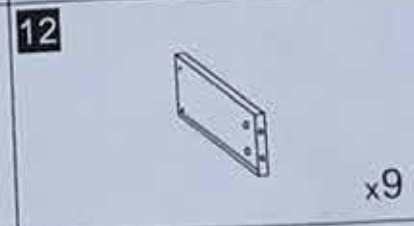
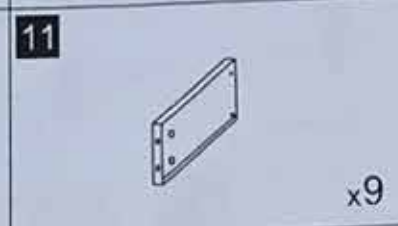
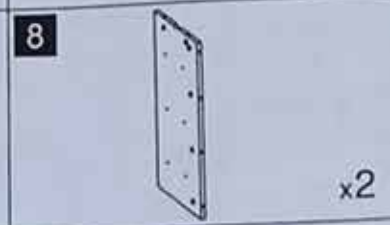
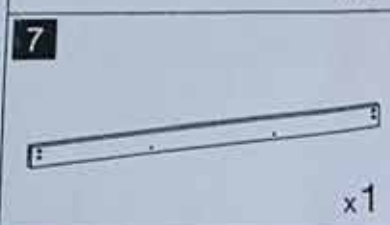
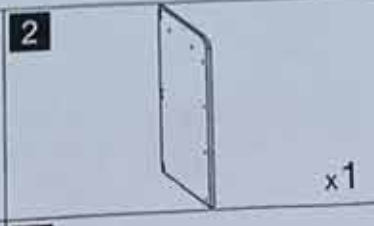
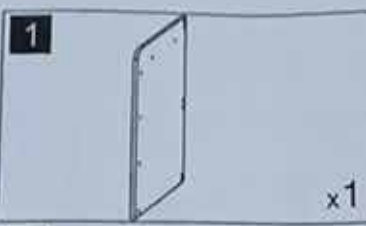






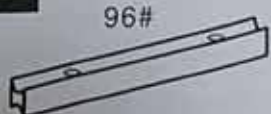






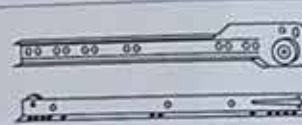




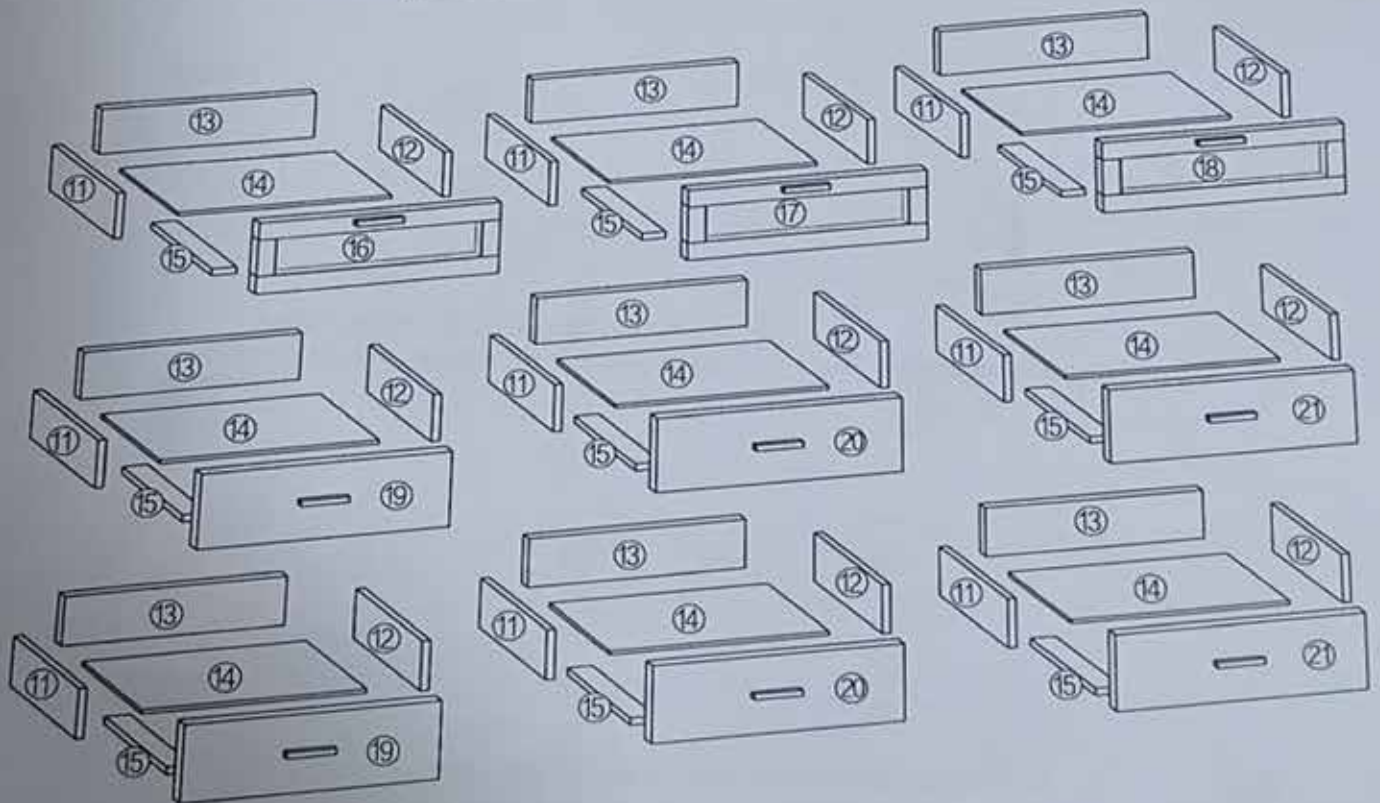
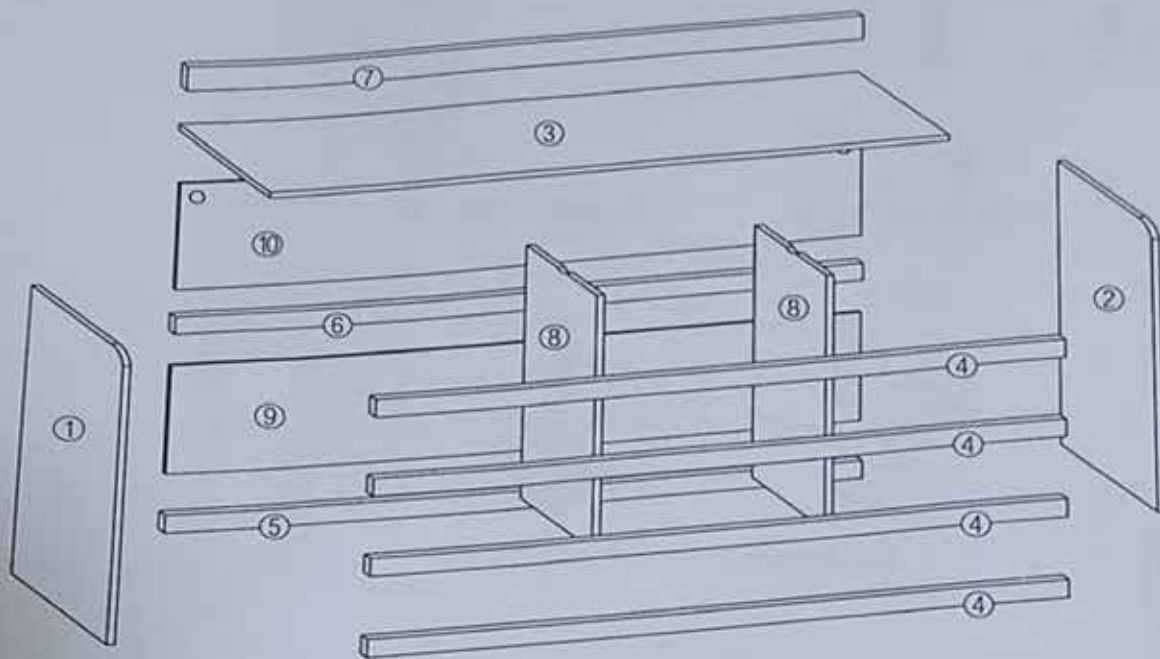


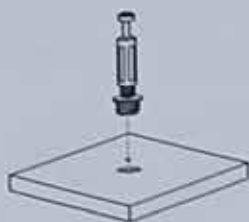
**Follow the instruction and
you can finish this item
quickly.**



A  84PCS	F  2PCS  2PCS  2PCS
B  84PCS	G 3.5x12  110PCS
C 96#  9PCS 4x14  20PCS	H  1PC  1PC
D  10PCS 17#  8PCS	I 12"  CL 9PCS DL  CR 9PCS DR
E 5x30  50PCS	J  6PCS 3.5x10  7PCS
K  1PC	

Explode Views





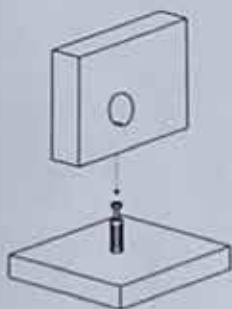
1. Install the screw rod



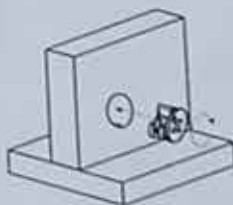
2. Tighten the screw rod clockwise



3. Pay attention to tightening the Screw rod



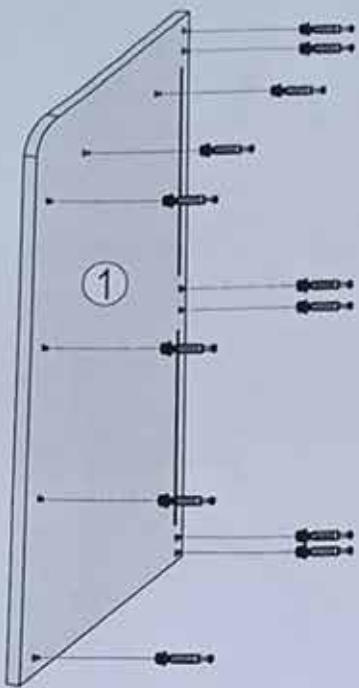
4. Installation plate



5. Align the arrow of the eccentric component with the screw rod




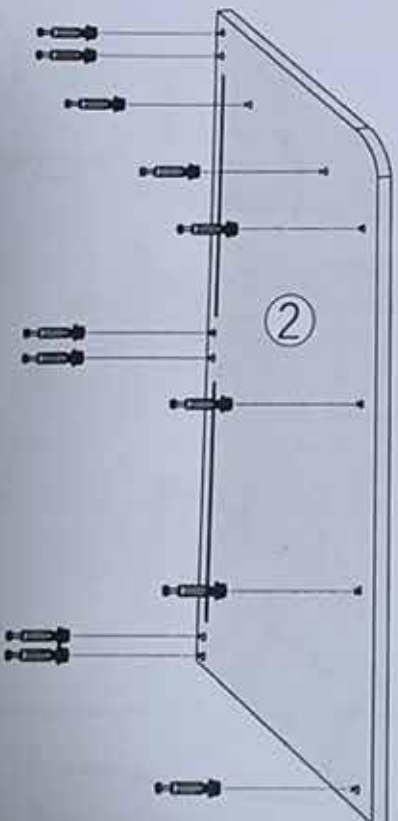
6. Pay attention to aligning the arrow of the eccentric part with the screw rod



1. Install the screw rod 2. Tighten the screw rod clockwise


① x 1

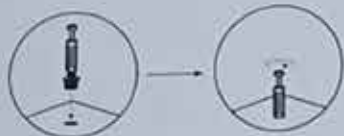
B
x12 



1. Install the screw rod 2. Tighten the screw rod clockwise

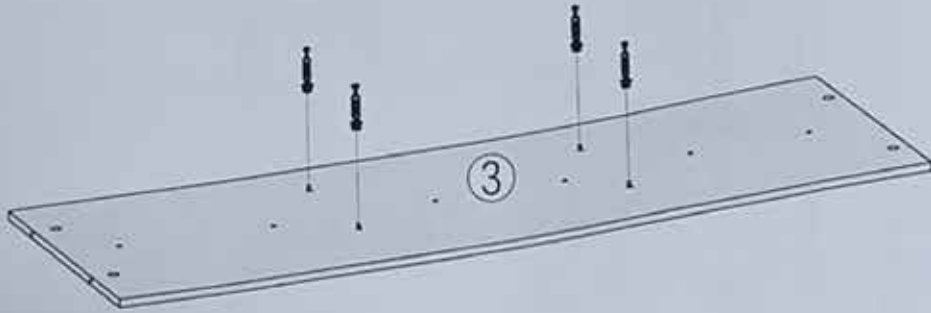
② x 1

B
x12 



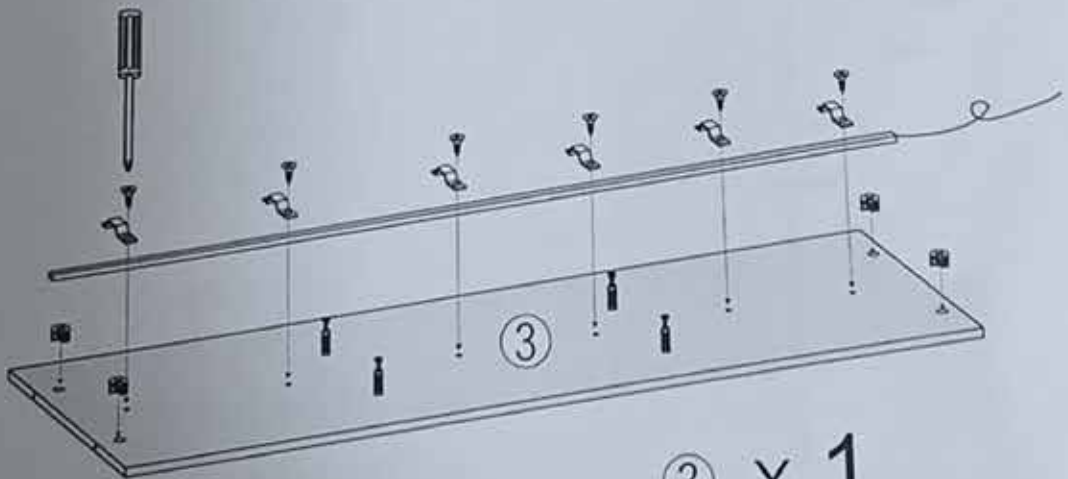
1. Install the screw rod 2. Tighten the screw rod clockwise

③ x 1

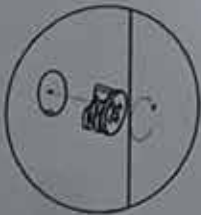


B

x4



③ x 1



Align the arrow of the eccentric component with the screw rod

K



x1

J

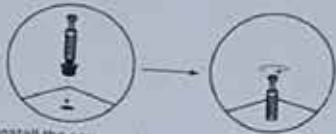


x6

3.5x15

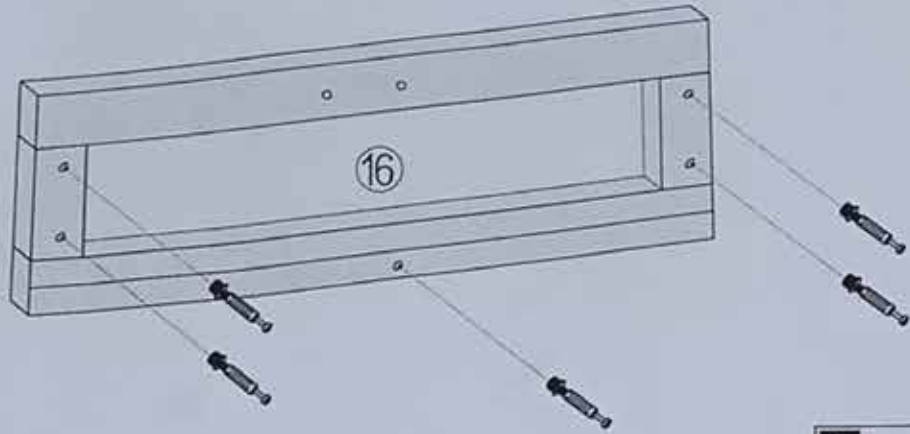



x6

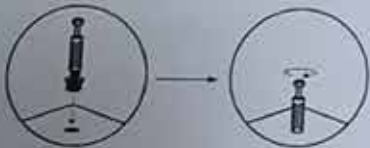


1. Install the screw rod 2. Tighten the screw rod clockwise

①⑥ x 1

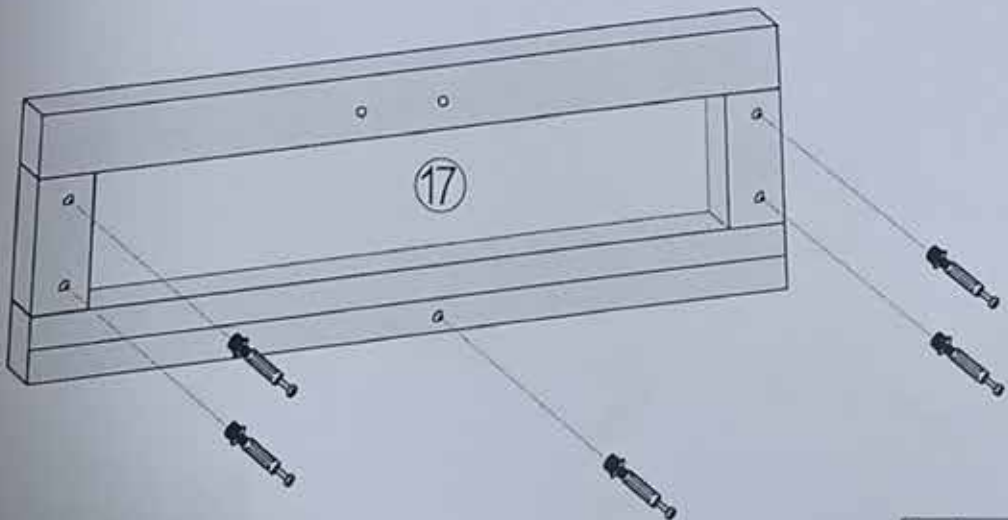


B
x5 

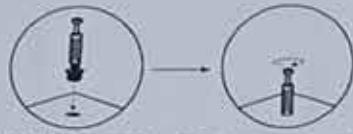


1. Install the screw rod 2. Tighten the screw rod clockwise

①⑦ x 1

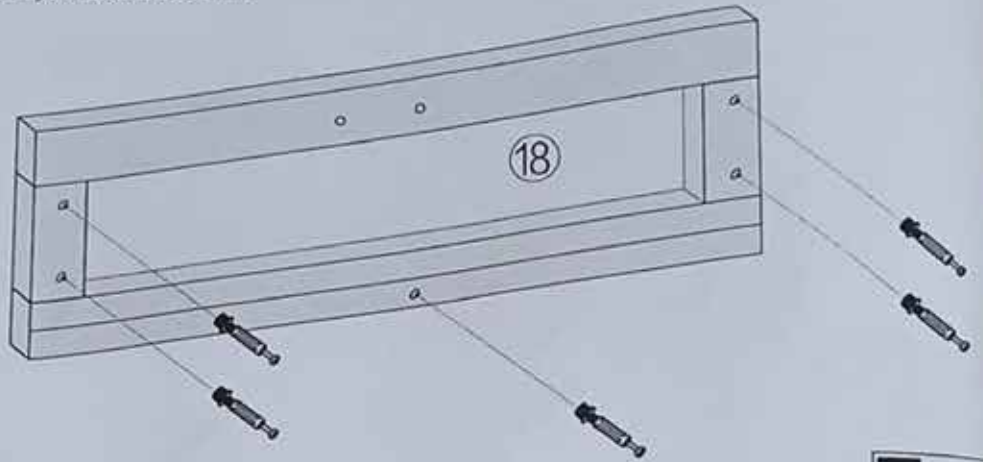


B
x5 

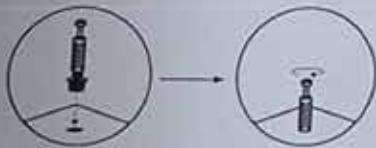


1. Install the screw rod 2. Tighten the screw rod clockwise

⑱ × 1

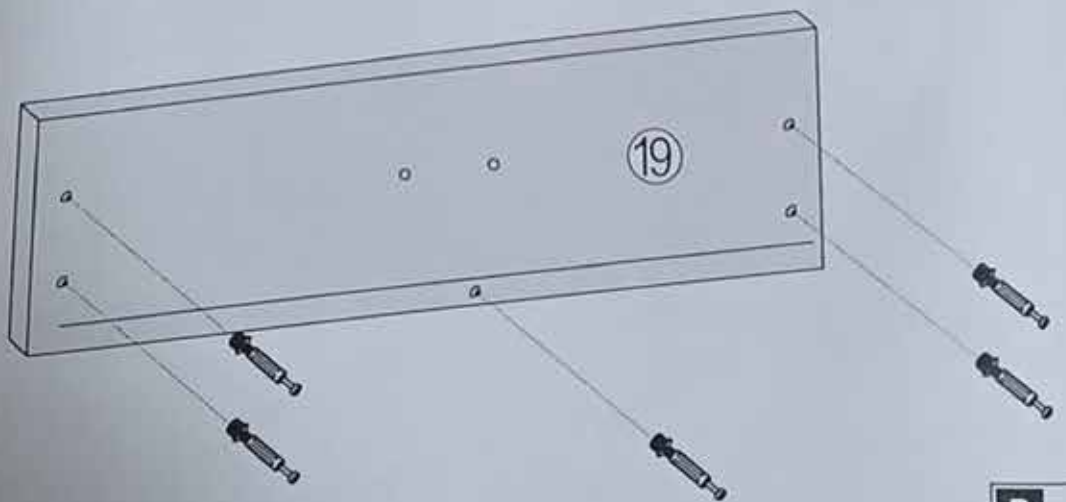


B
x5

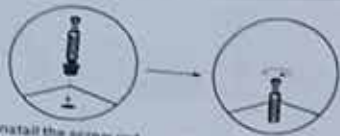


1. Install the screw rod 2. Tighten the screw rod clockwise

⑲ × 2

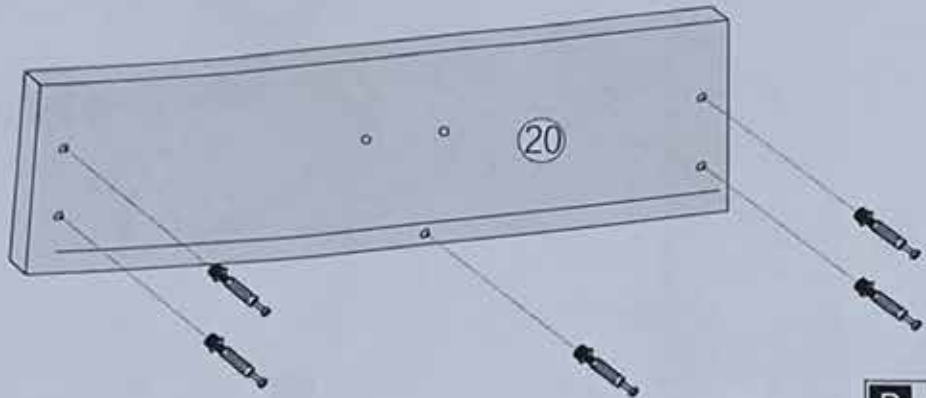


B
x10

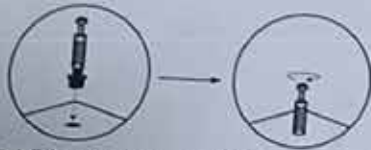


- 1. Install the screw rod
- 2. Tighten the screw rod clockwise

②0 x 2

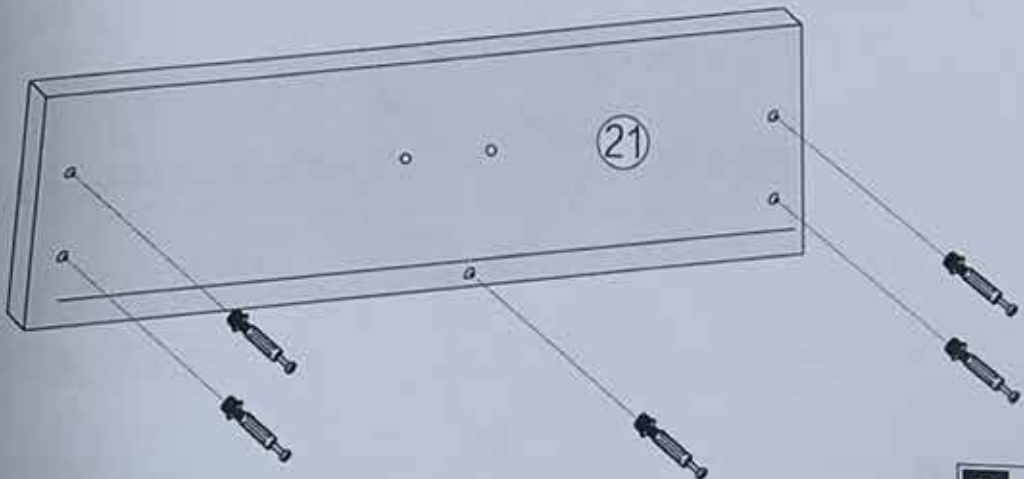


B
x10 

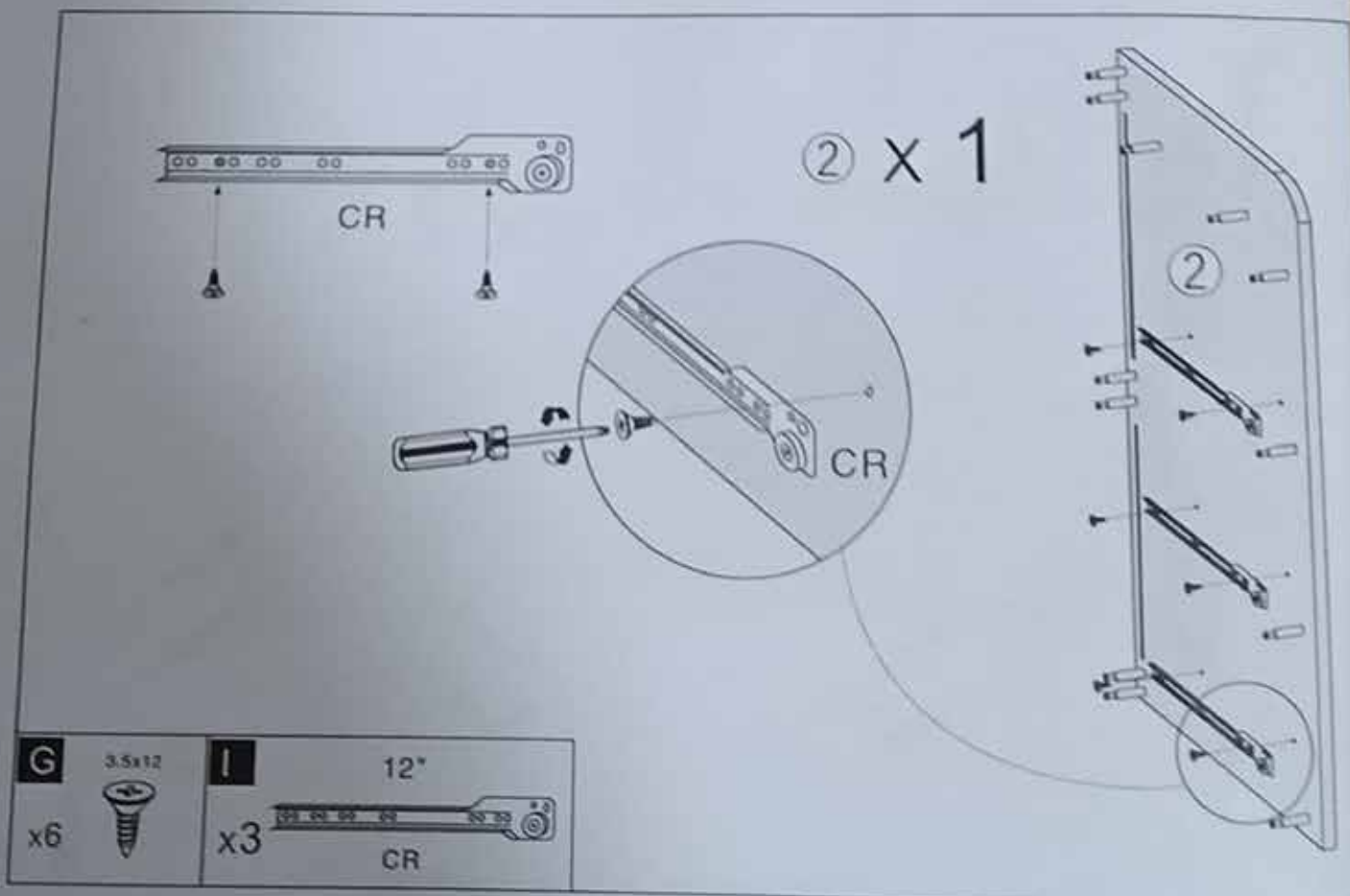
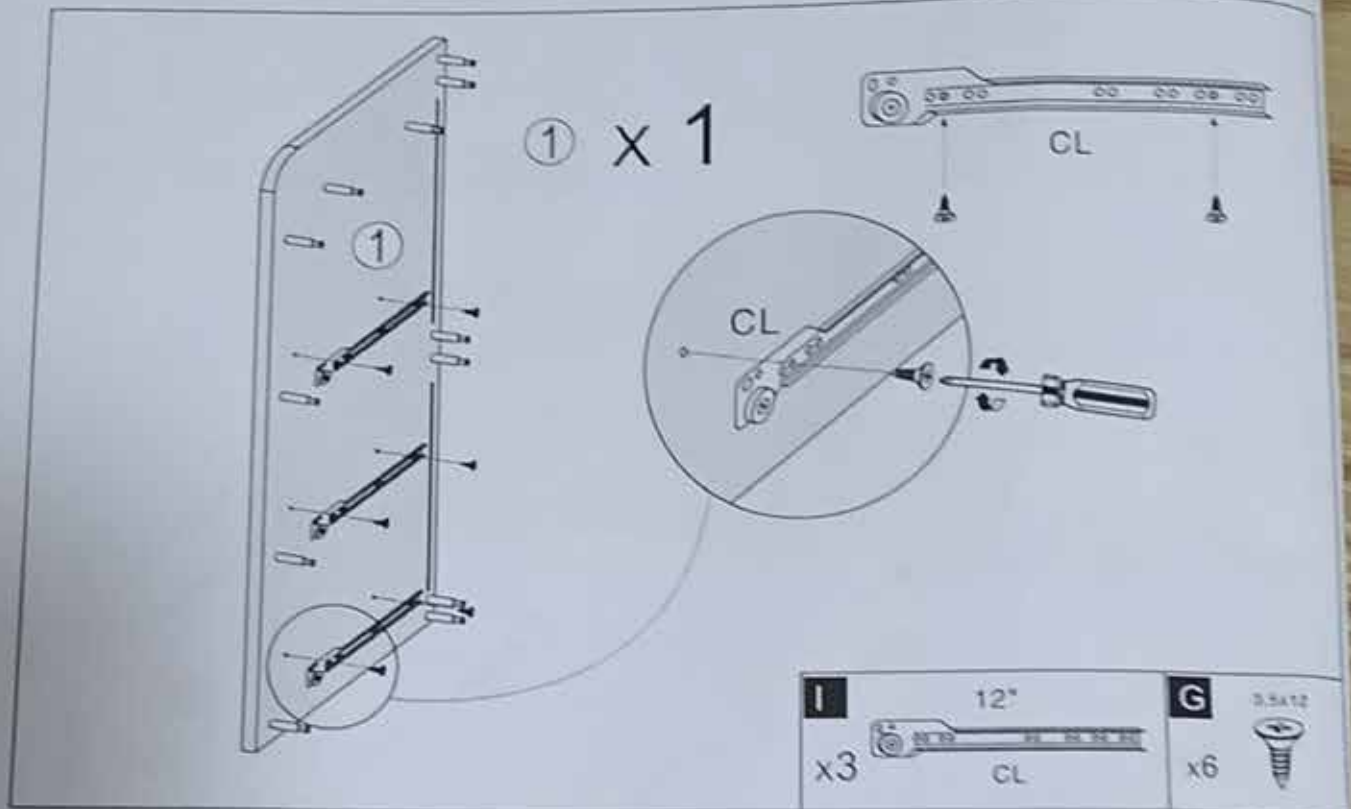


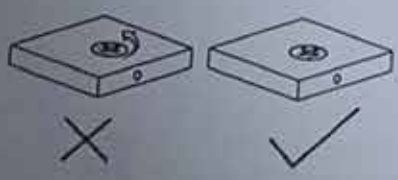
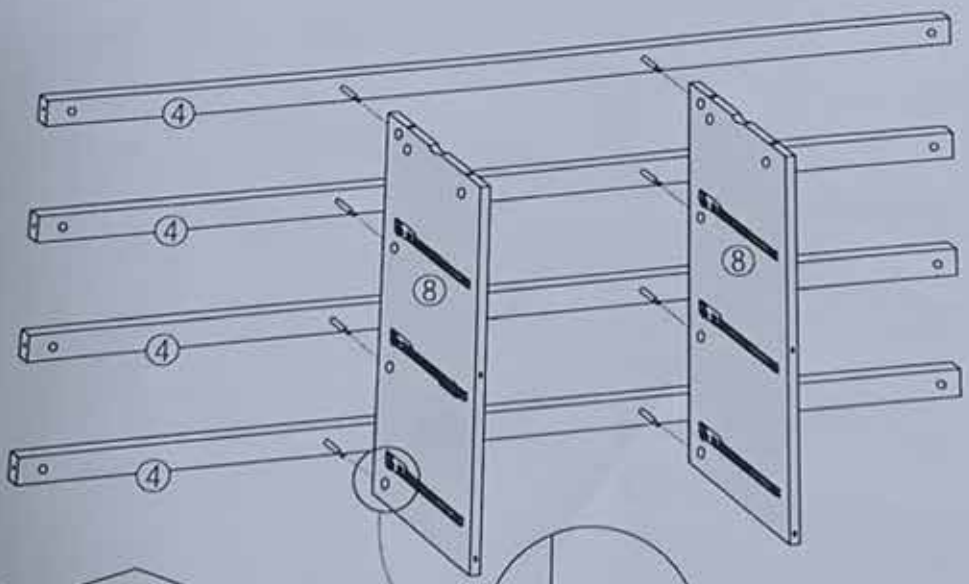
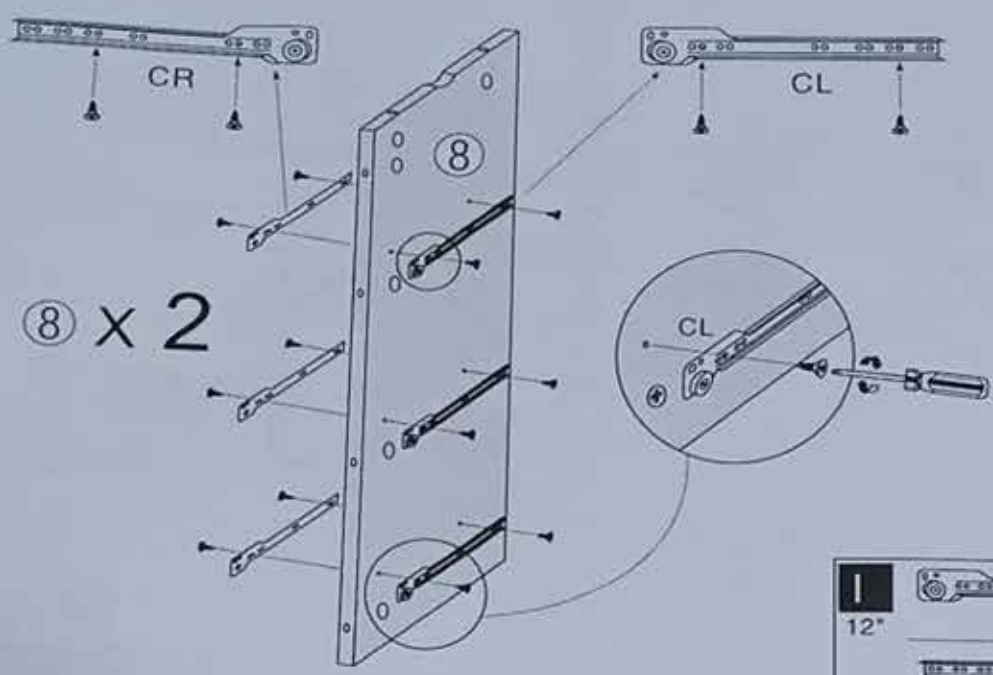
- 1. Install the screw rod
- 2. Tighten the screw rod clockwise

②1 x 2

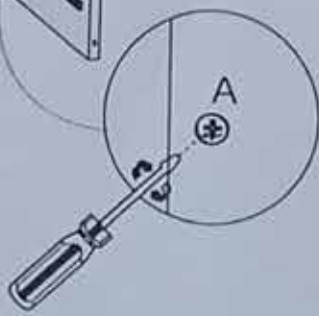


B
x10 

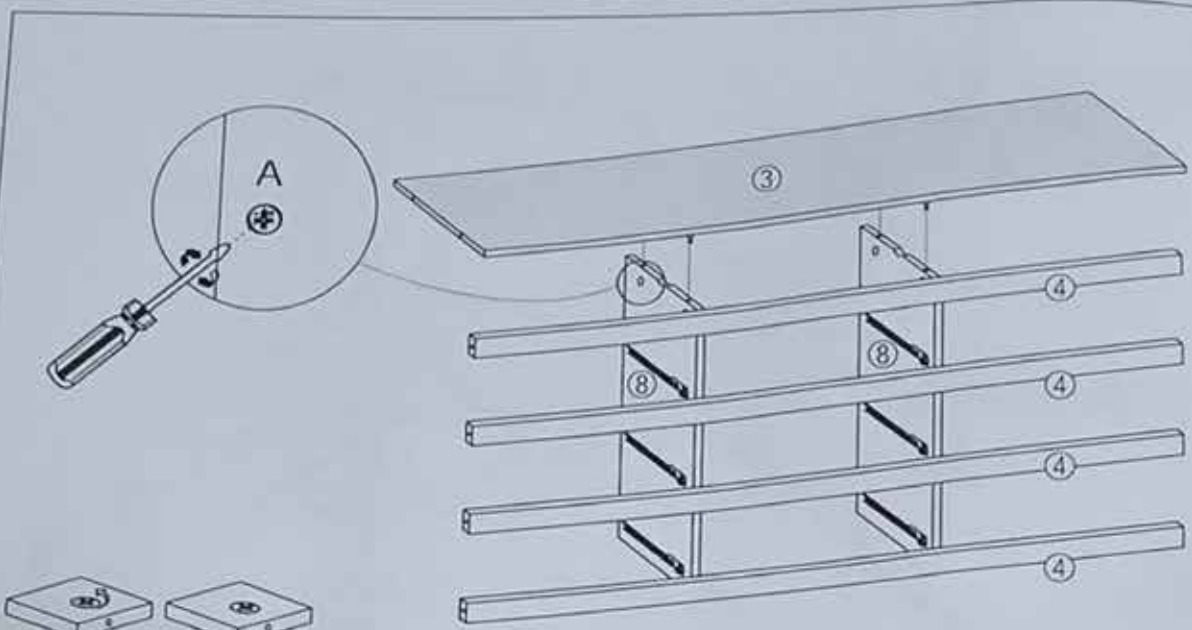




Pay attention to aligning the arrow of the eccentric part with the screw rod

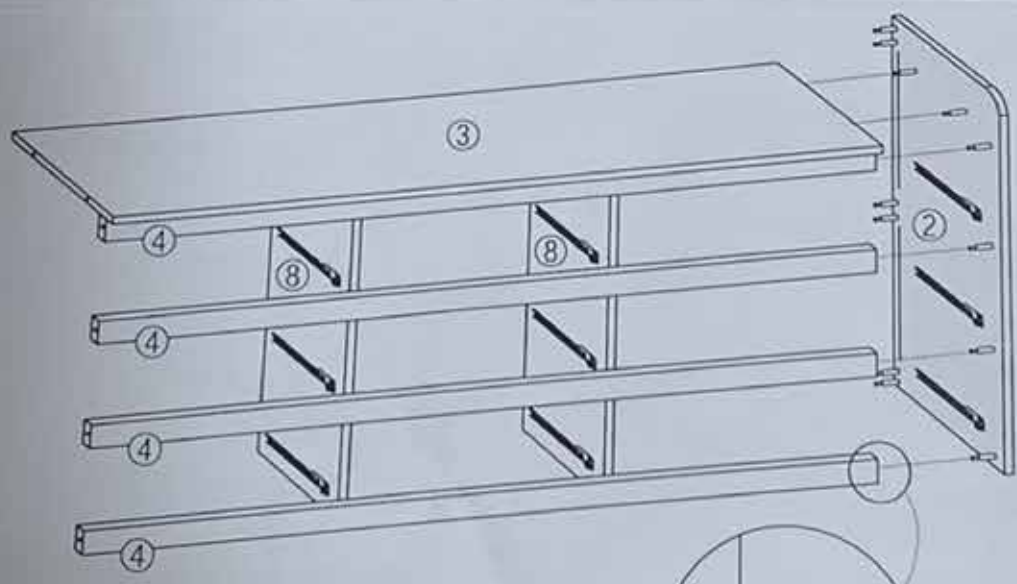


A
x8



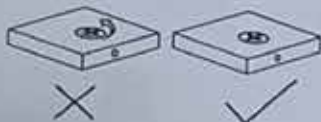
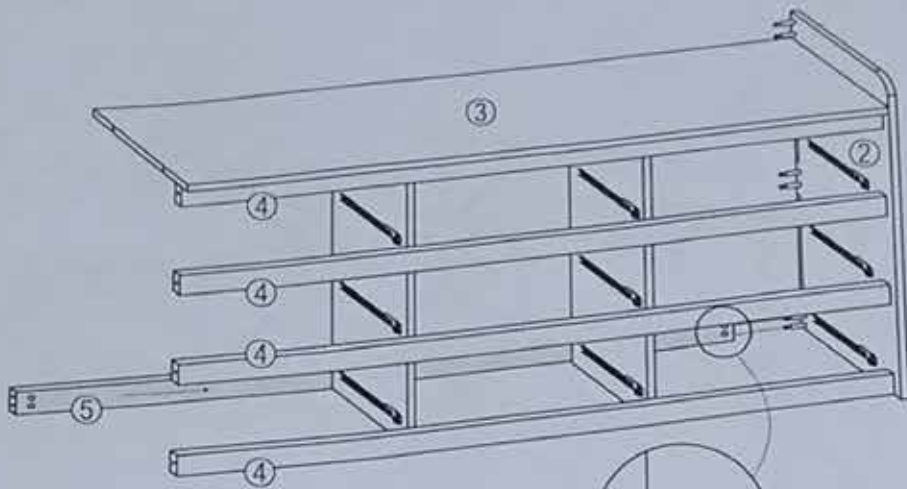
Pay attention to aligning the arrow of the eccentric part with the screw rod

A
x4

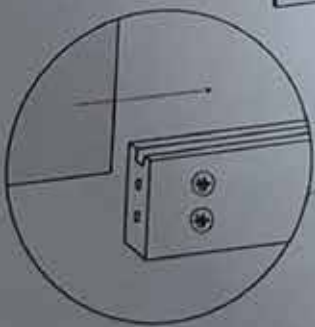
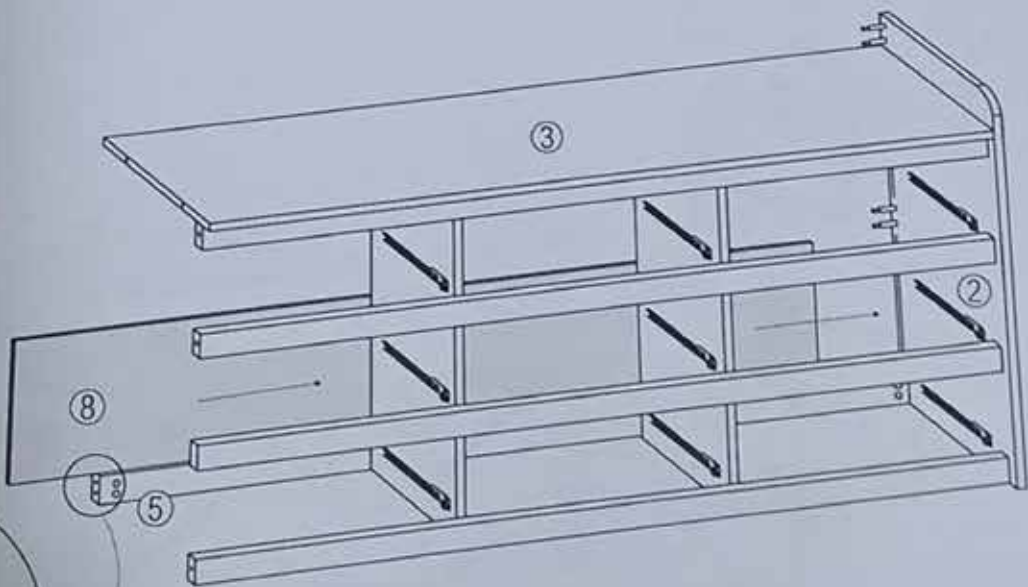
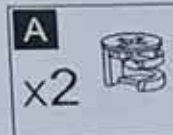


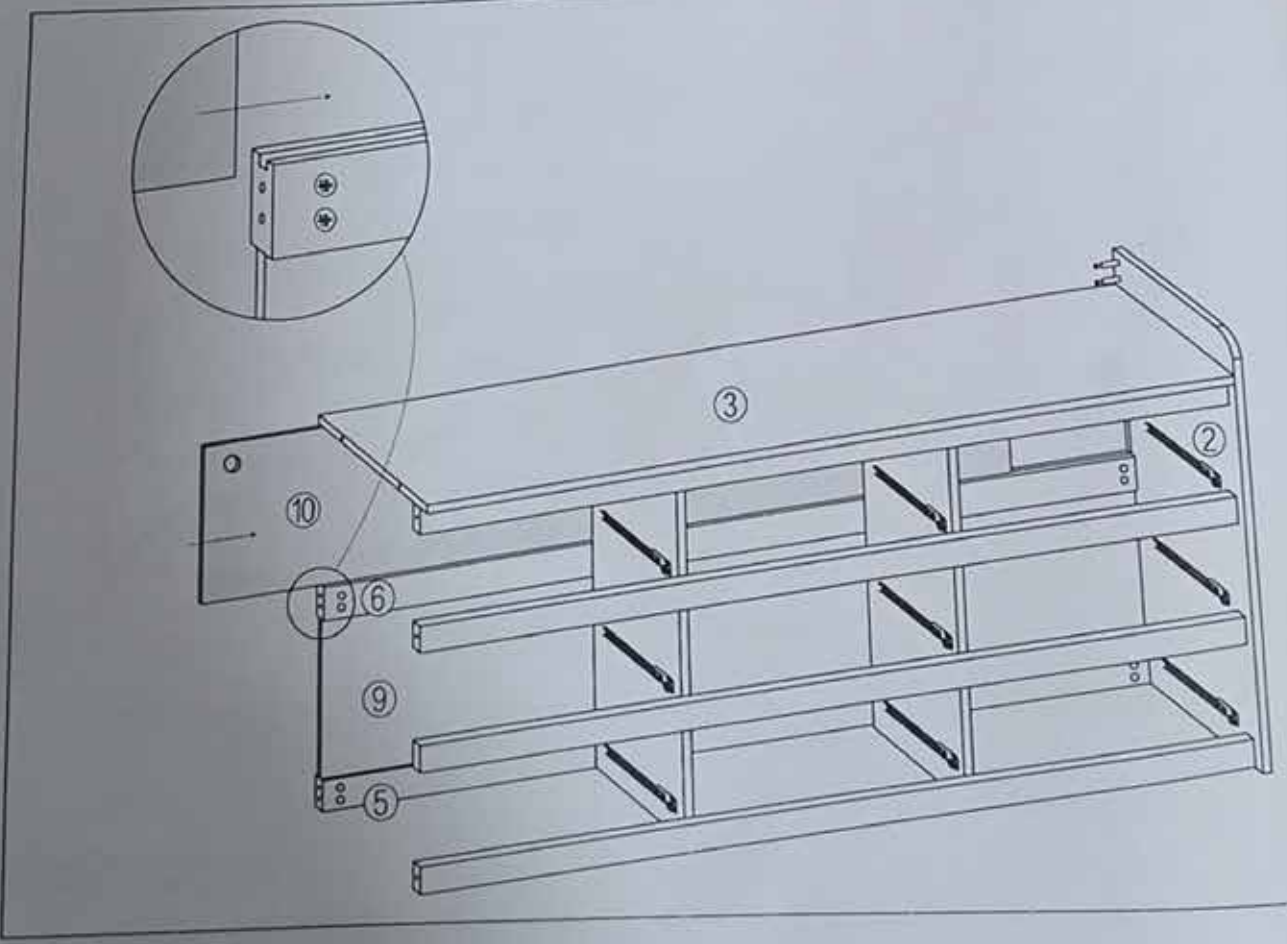
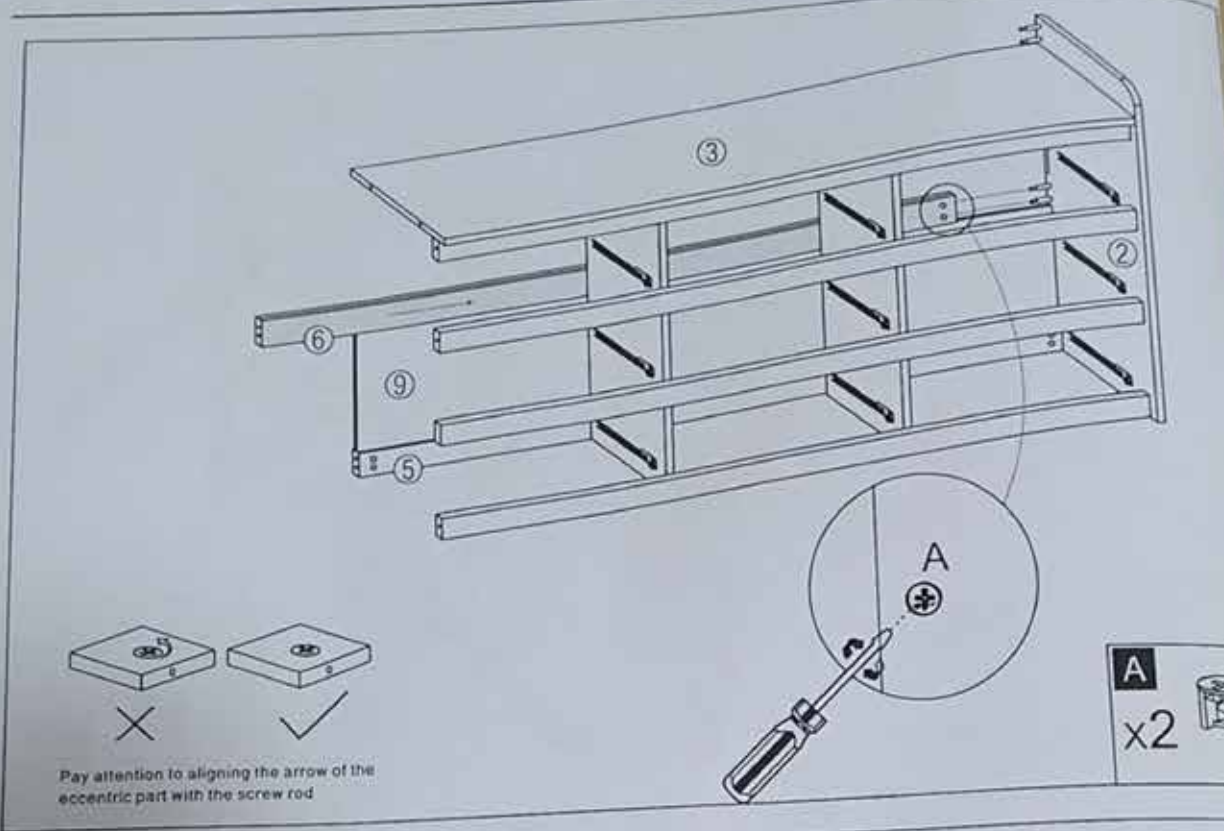
Pay attention to aligning the arrow of the eccentric part with the screw rod

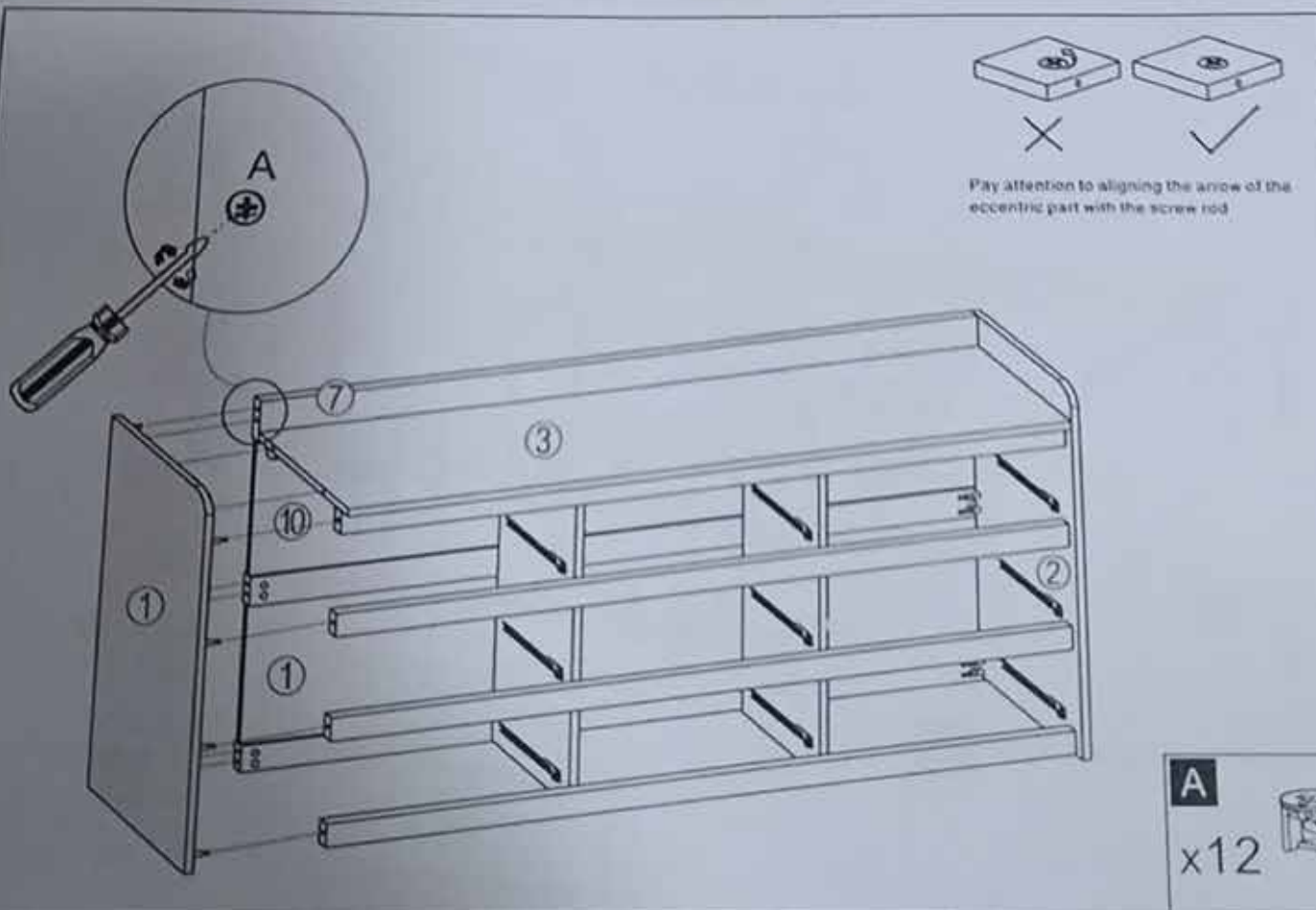
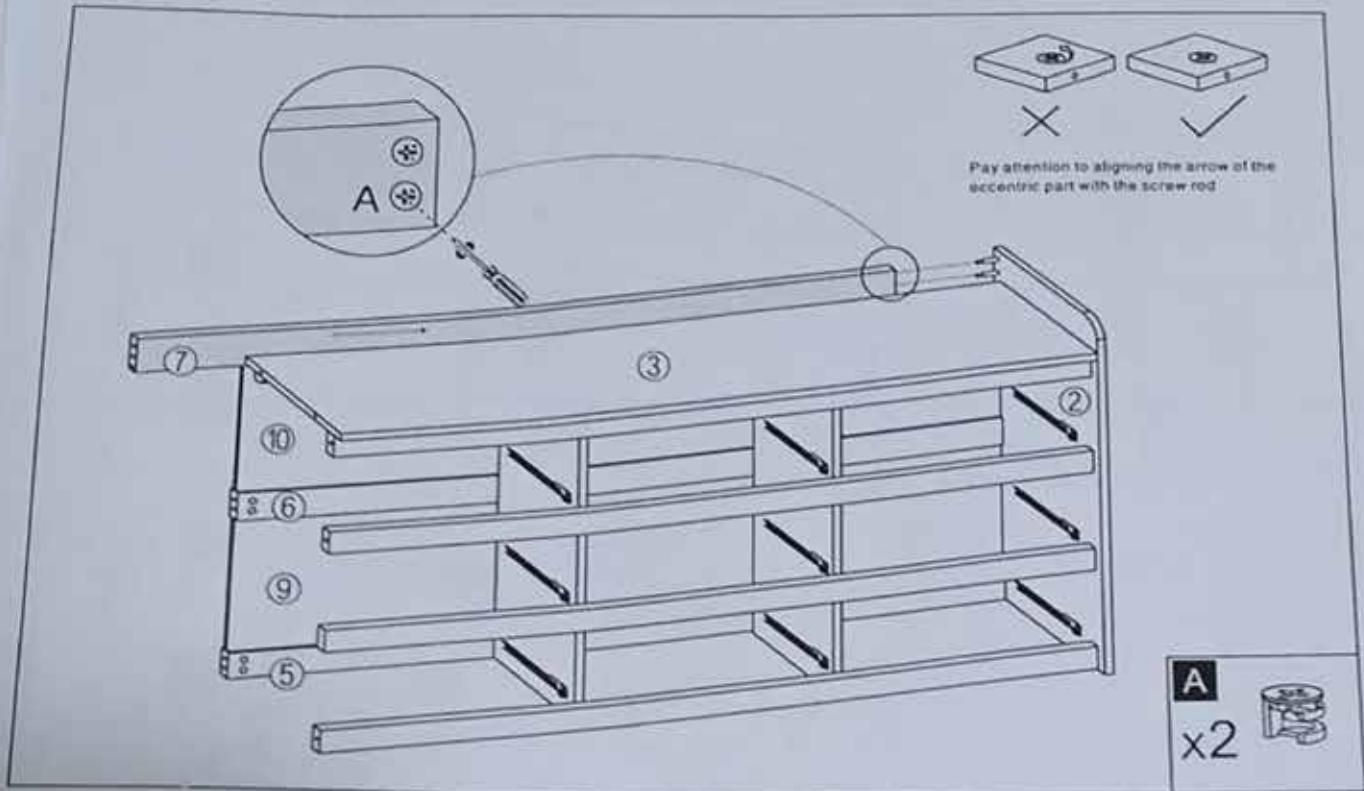
A
x6

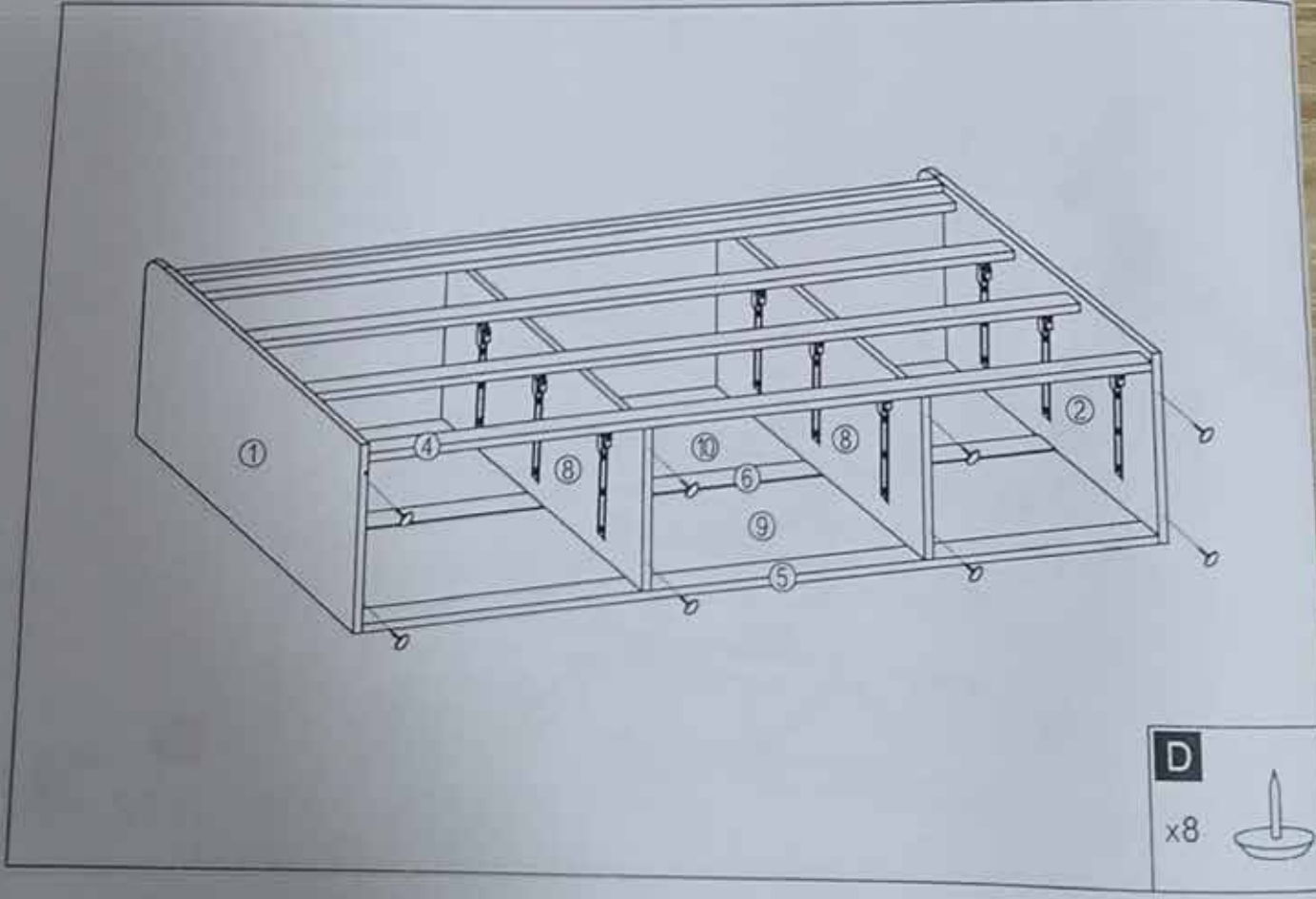
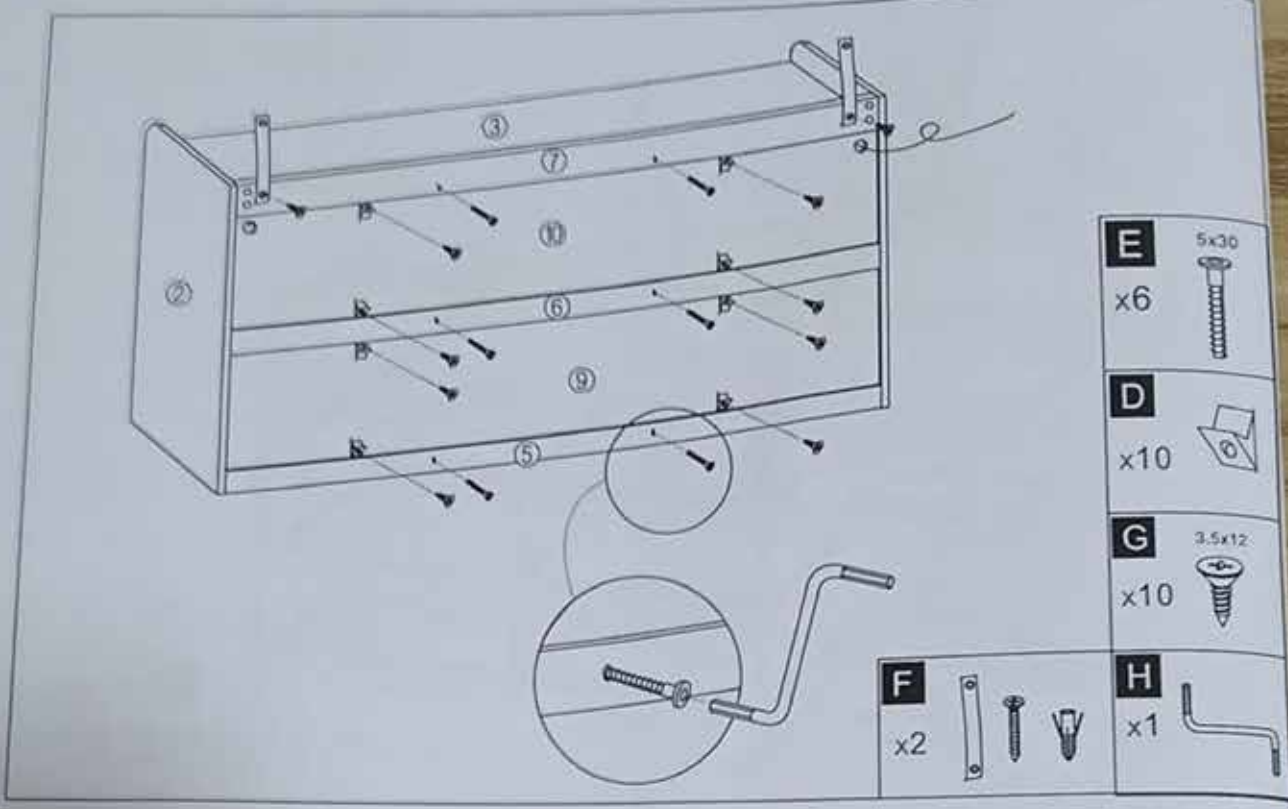


Pay attention to aligning the arrow of the eccentric part with the screw rod

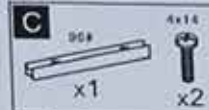
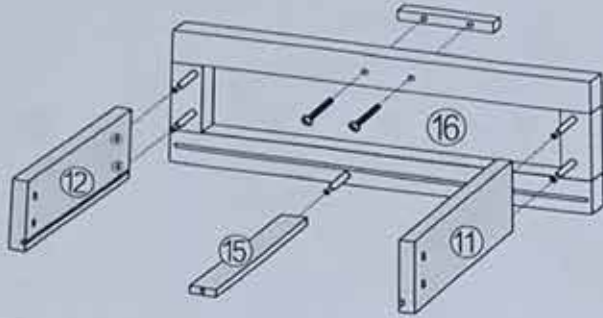




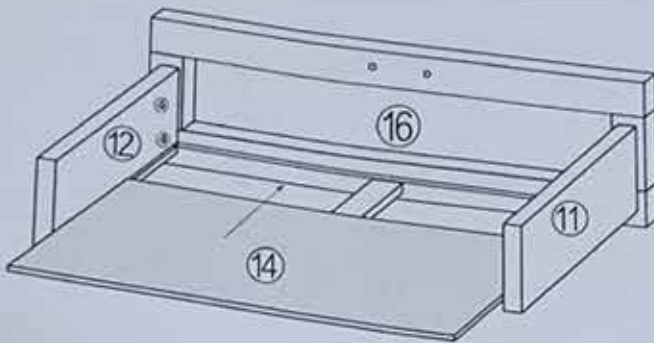




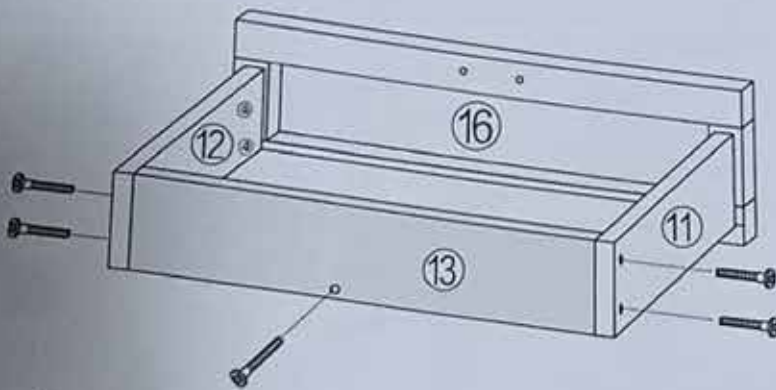
1



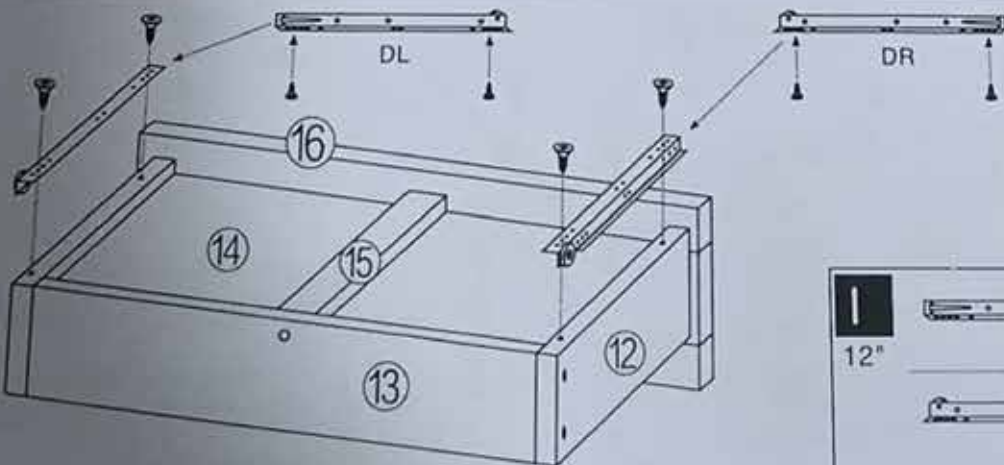
2



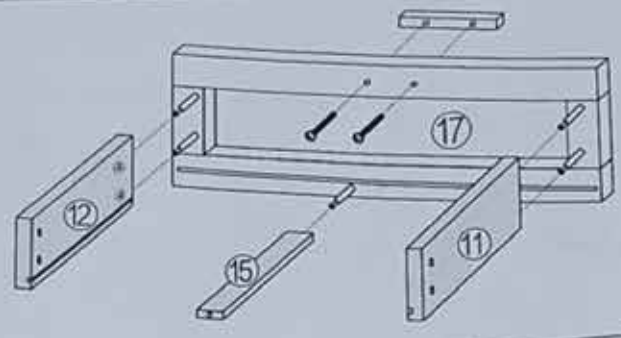
3



4

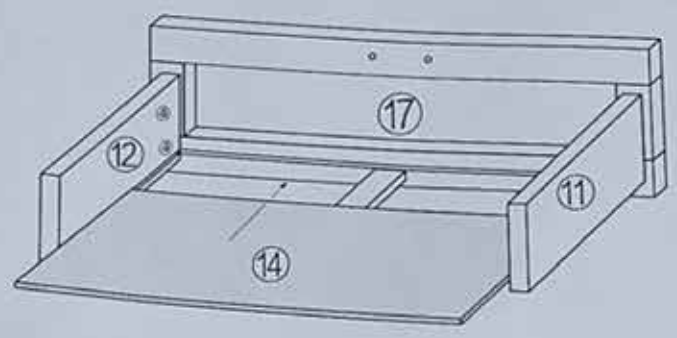


1

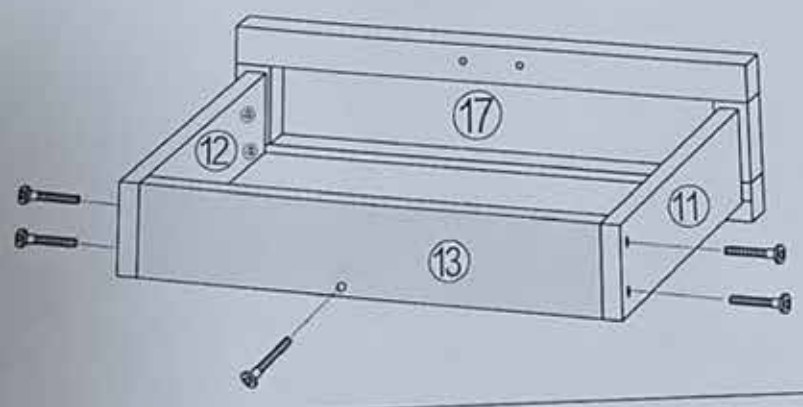


C	966	4x18
	x1	x2
A		
	x5	

2

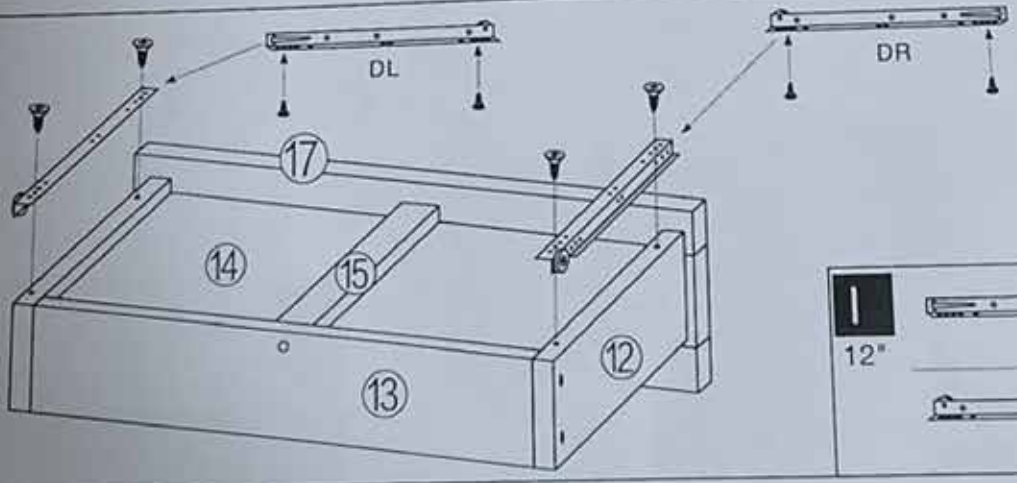


3



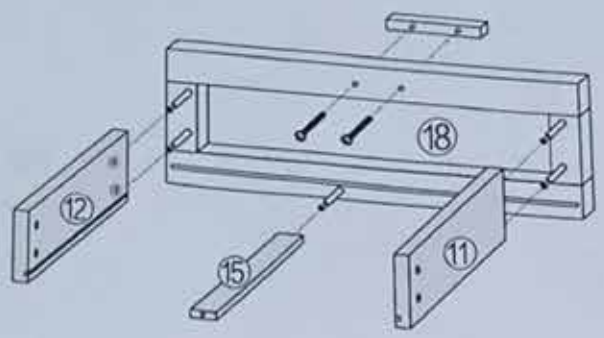
E	5x30
	x5

4



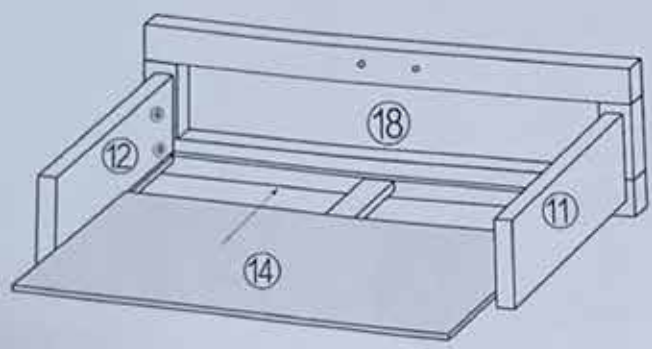
G	3,6x12	
	x4	
I		
	12"	
	DL	1PC
	DR	1PC

1

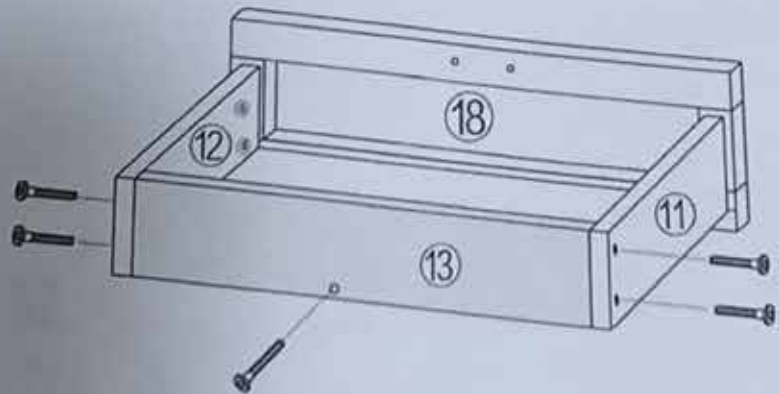


C		x1
		x2
A		x5

2

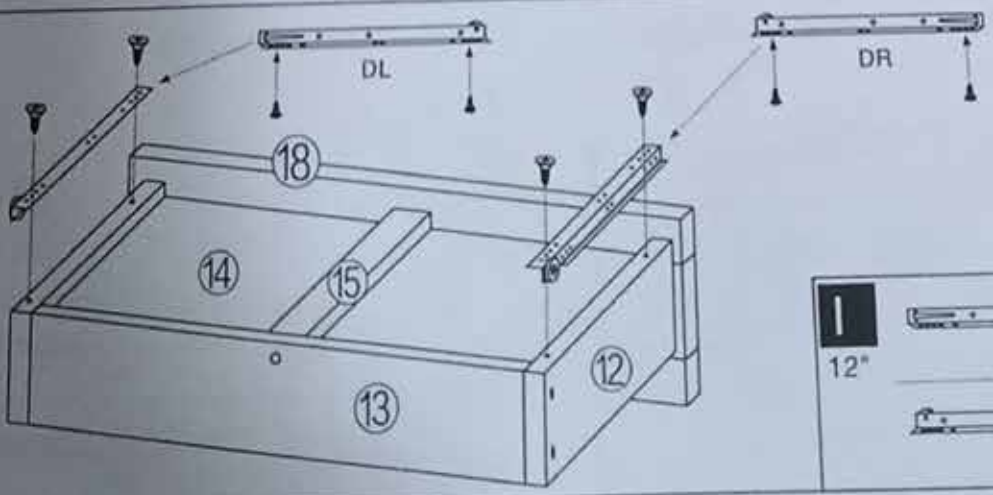



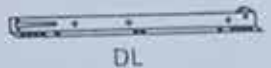
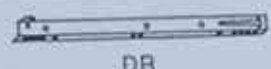
3



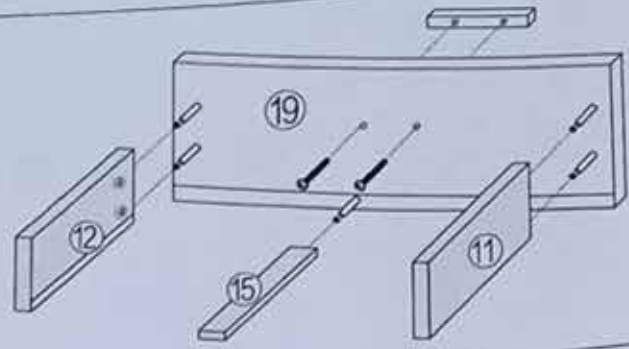
E		5x30
		x5

4



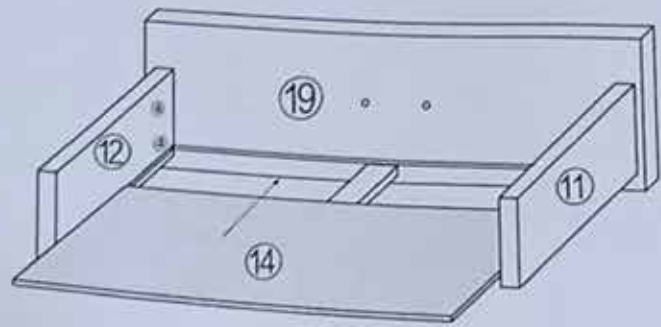
G		3.5x12
		x4
I		DL 1PC
		DR 1PC

1

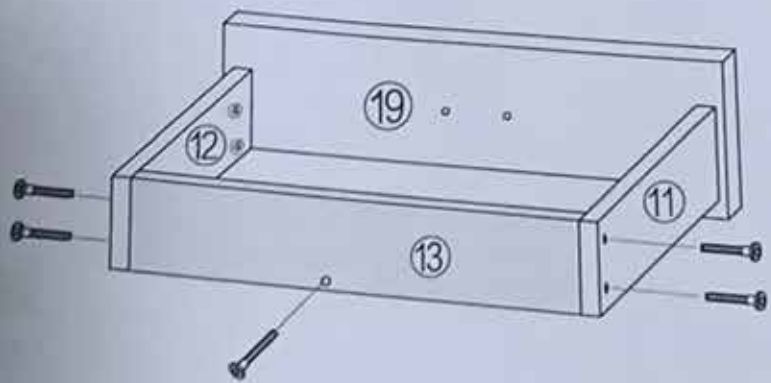


C 95x x2
A x10

2

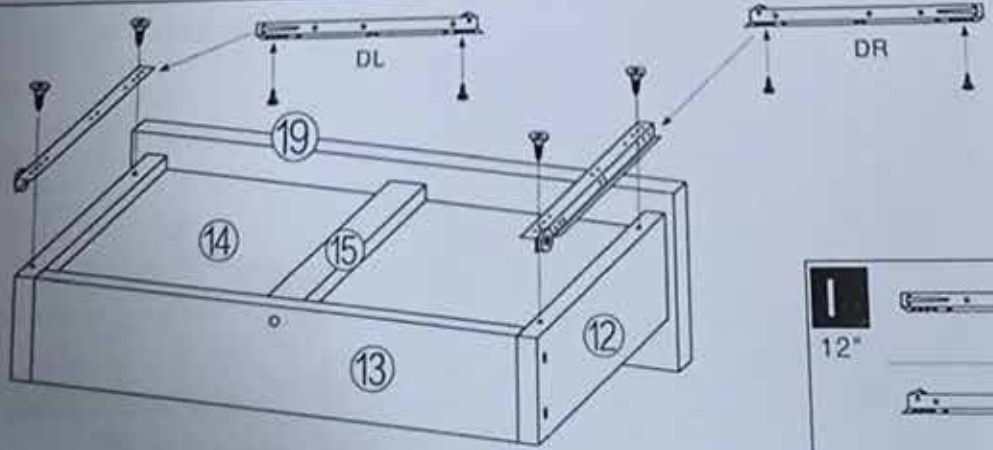


3



E 5x30
x10

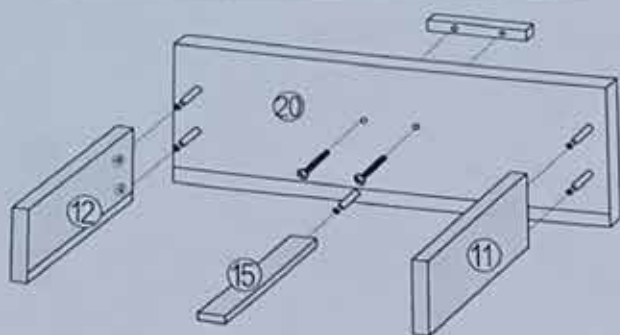
4



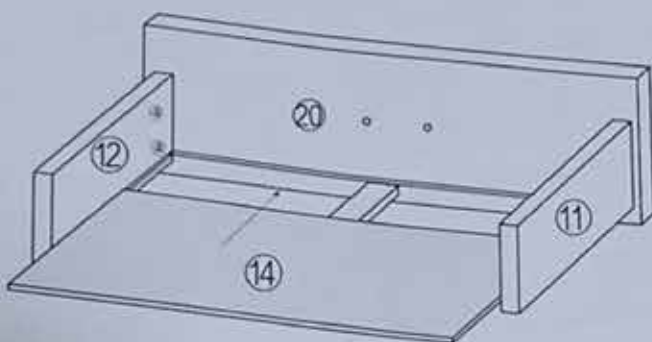
G 3.5x12
x8

I 12"
DL 2PCS
DR 2PCS

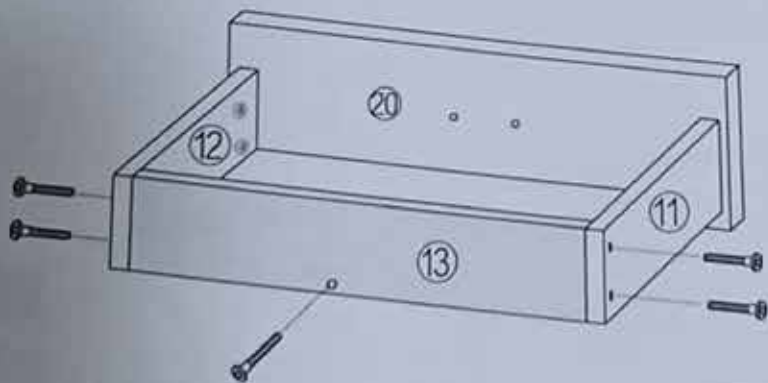
1



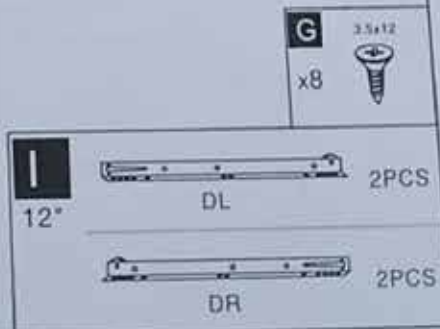
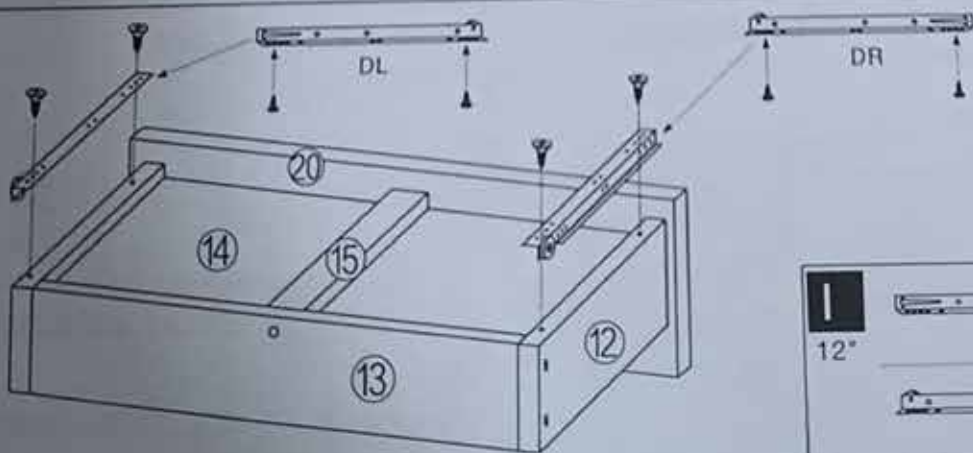
2



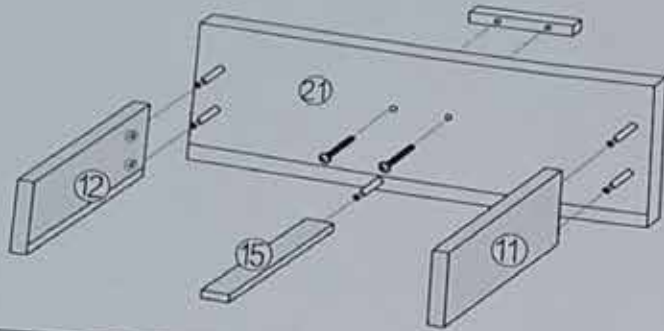
3



4

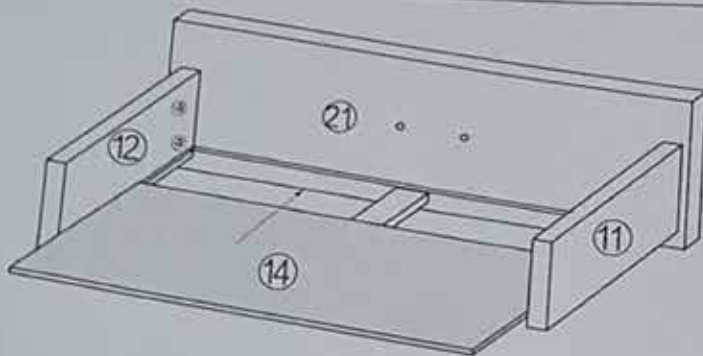


1

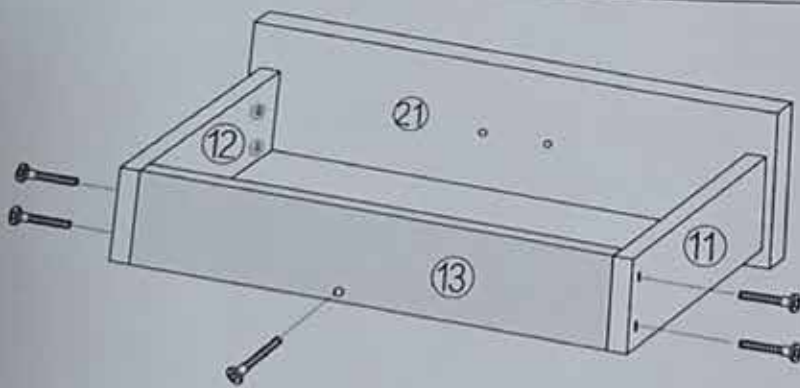


C	96#	4x14
	x2	x4
A		
	x10	

2

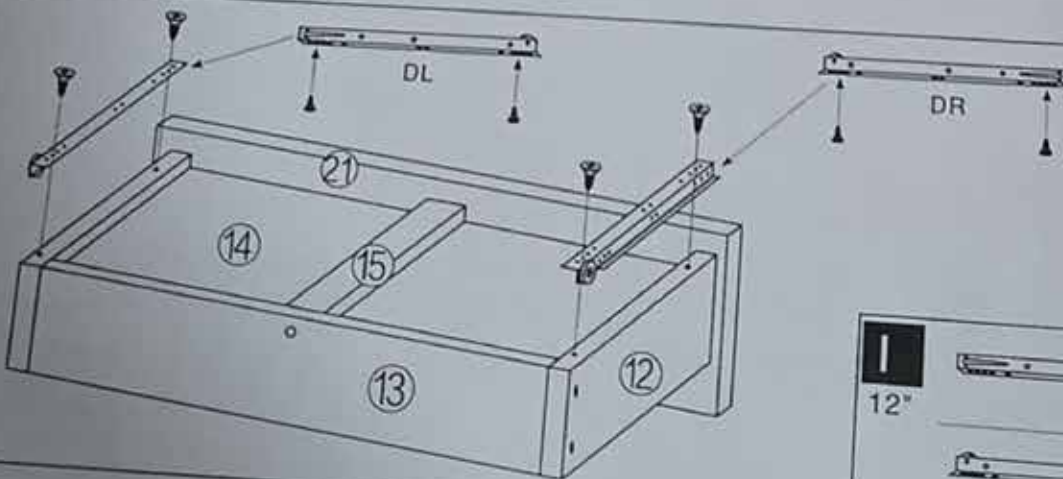


3



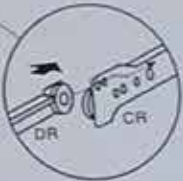
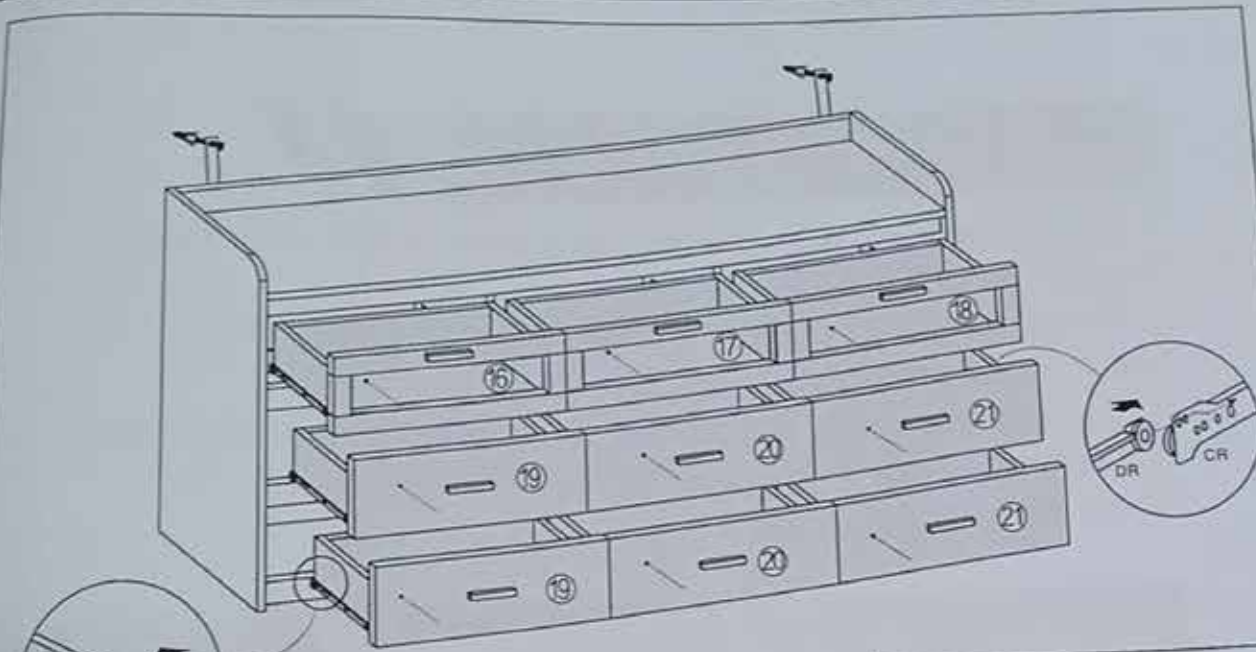
E	5x30
	x10

4

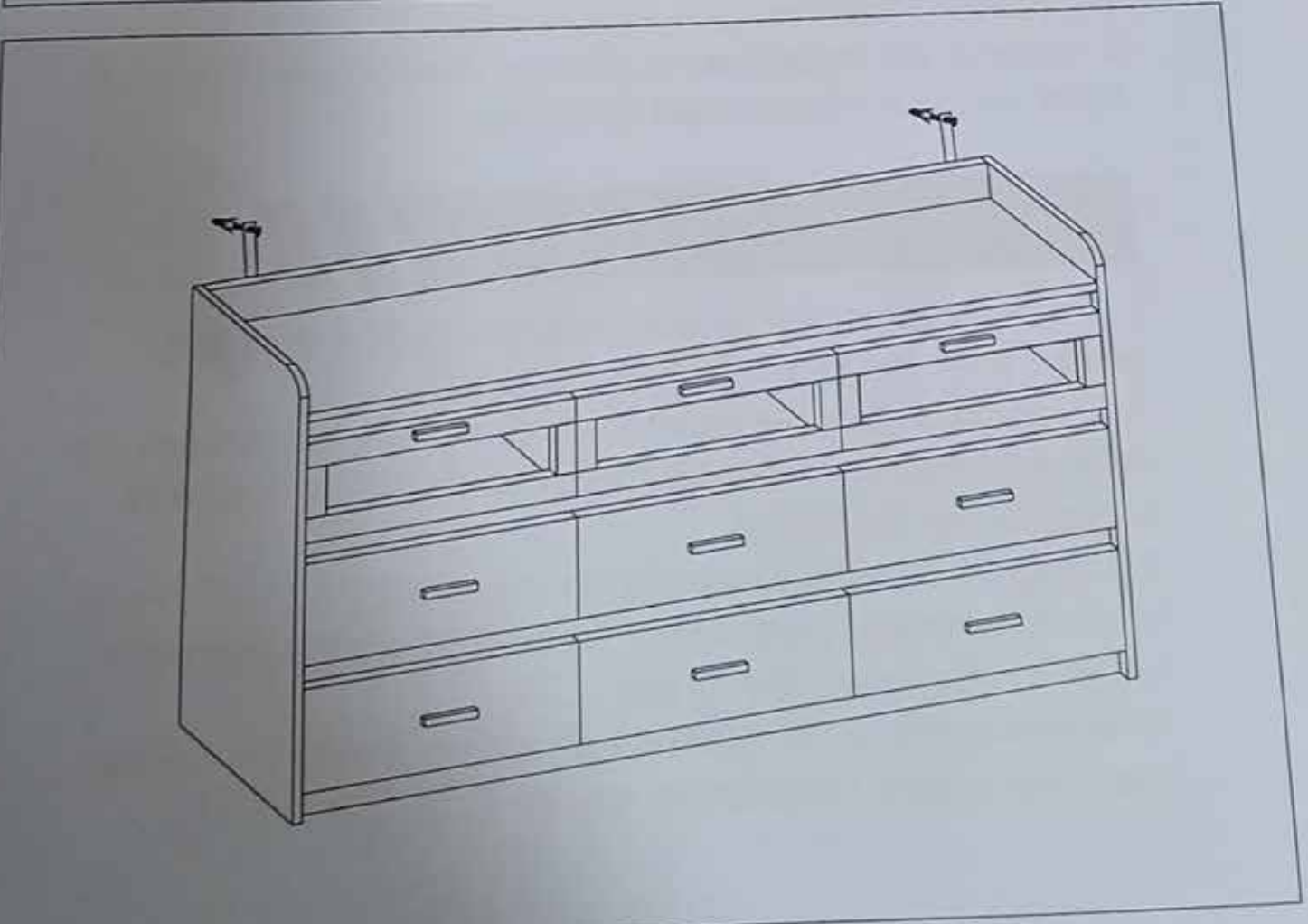


G	35x12
	x8

I	12"		DL	2PCS
			DR	2PCS



1		CL	9PCS
		DL	9PCS
12"		CR	9PCS
		DR	9PCS



General Guidelines

1. Please carefully read the following instructions and use this product accordingly.
2. Please keep this manual and hand it over if you need to transfer the product.
3. This summary may not include every detail of variations and considered steps. If you need further information and assistance, please contact us.

Warnings

1. Keep all hardware parts out of reach of children as they may be fatal if swallowed or inhaled.
2. Immediately dispose of plastic packaging materials to avoid any potential hazards, such as suffocation.
3. Children are not allowed to climb or stand on the product to avoid personal injury caused by tipping.

Assembly Tips

1. Leave enough space for assembly and place it on a flat ground or on the carpet to avoid scratching.
2. Before assembly, please check if all parts and quantities are included. If there are any missing or damaged parts, please contact us for resolution.
3. During the assembly process, do not overtighten the screws to avoid damaging the product. After installation is complete, retighten all screws one by one.
4. Regularly check the tightness of screws during the product use. If necessary, retighten to ensure structural integrity.